



INVISIBLE





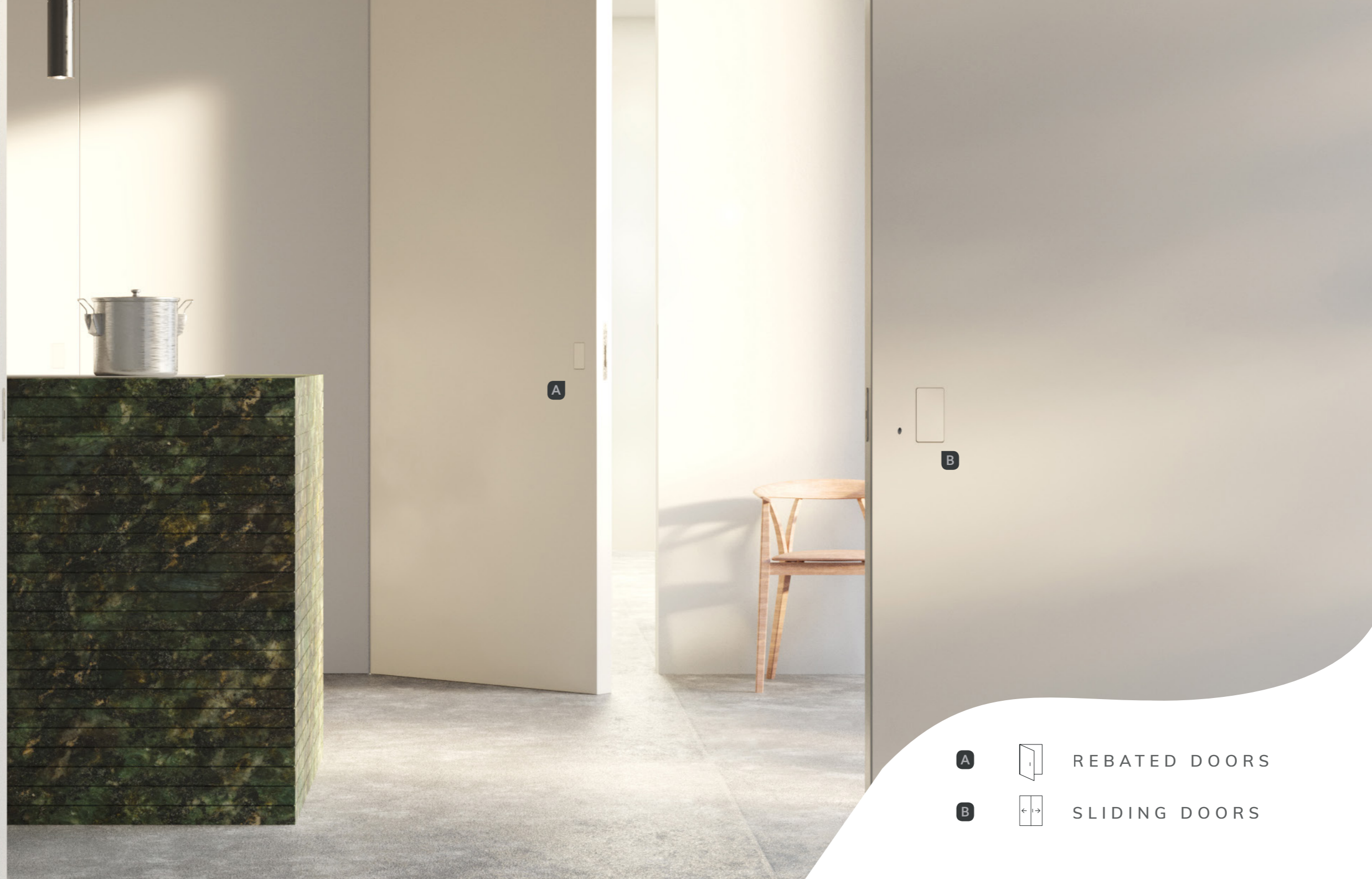
Every door has a hidden handle,  
we just didn't see it.







Doors with lock



01

A



REBATED DOORS

B



SLIDING DOORS

# REBATED DOORS

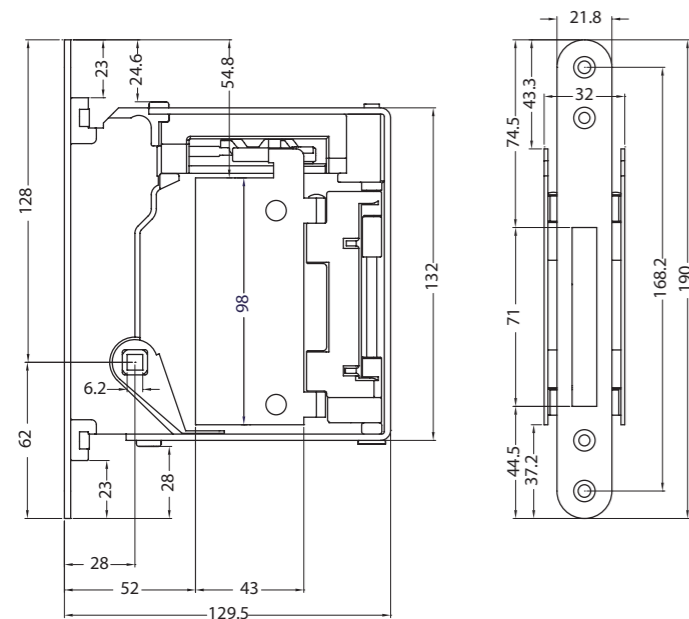


PATENTED

Mod. 937

## B NO-HA MINI PRIVACY

DOOR THICKNESS (mm) 38 MIN  $\longleftrightarrow$  48 MAX



6x6 mm

Material  
Brass

Front plate

height	width	thickness
190 mm	22 mm	2.5 mm

Maximum distance between leaf and frame  
6 mm

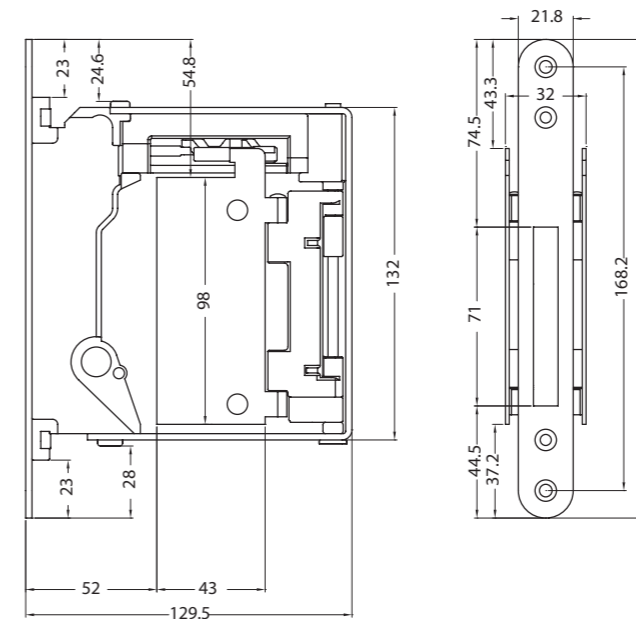
Backset  
28 mm

PATENTED

Mod. 938

## B NO-HA MINI PASSAGE

DOOR THICKNESS (mm) 38 MIN  $\longleftrightarrow$  48 MAX



Material  
Brass

Front plate

height	width	thickness
190 mm	22 mm	2.5 mm

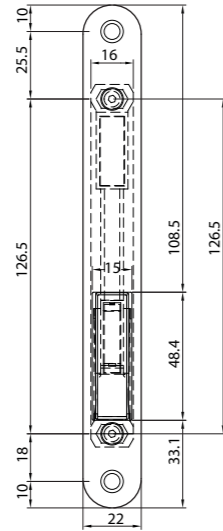
Maximum distance between leaf and frame  
6 mm



# ADJUSTABLE STRIKING PLATES



Mod.  
G 992

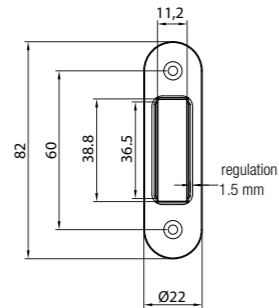


Material  
Steel

Dimensions

height	width	thickness
190 mm	22 mm	2 mm

Mod.  
GR 95



Material  
Steel

Dimensions

height	width	thickness
82 mm	22 mm	4 mm





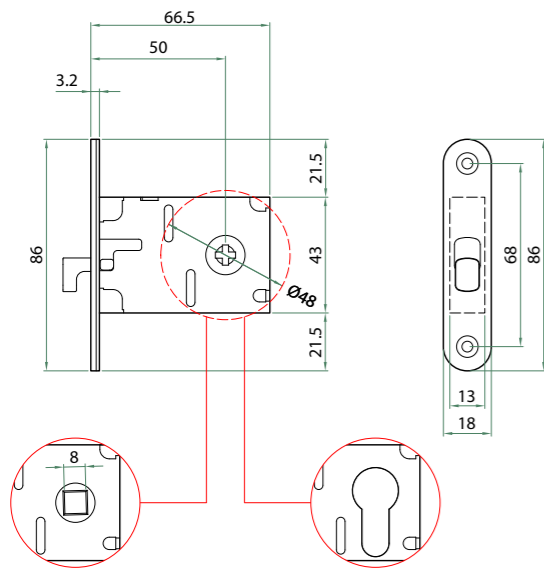
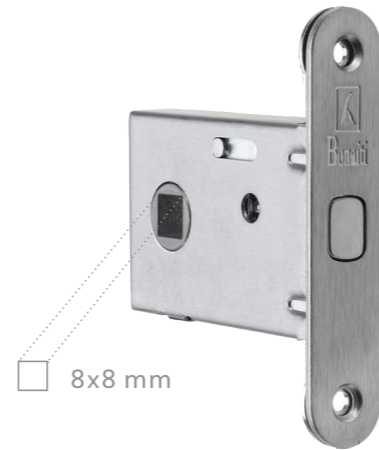
# SLIDING DOORS



PATENTED

Mod.

G500 MINI

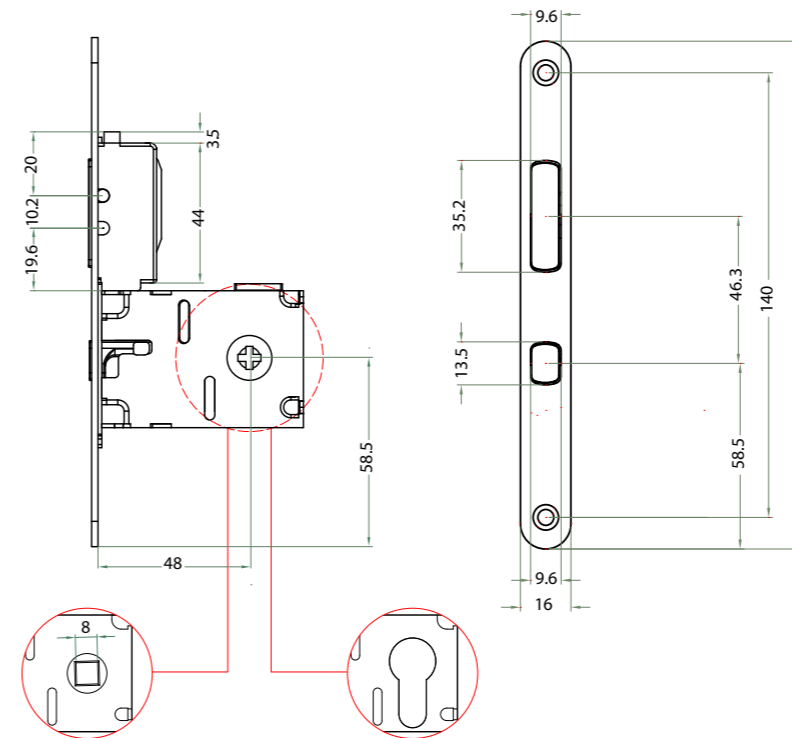


Material		
Steel		
Front plate		
height	width	thickness
86 mm	18 mm	3 mm
Backset		
50 mm		
Versions		
WC	BB	PZ

PATENTED

Mod.

G500T



Material		
Steel		
Front plate		
height	width	thickness
160 mm	16 mm	2 mm
Backset		
50 mm		
Versions		
WC	BB	PZ

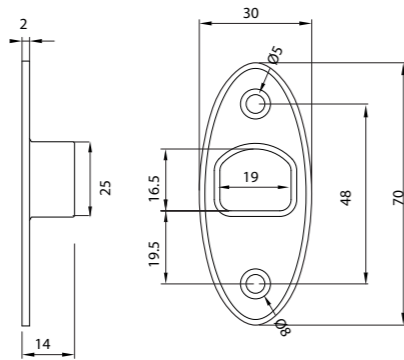


# STRIKING PLATES



## INCLUDED

Mod.  
G 572



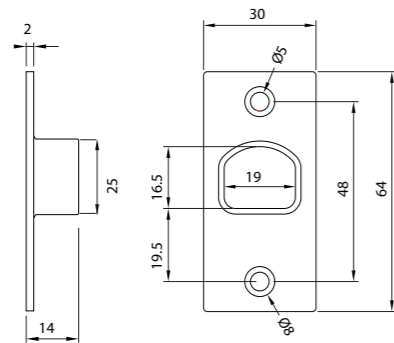
Material  
Steel

### Dimensions

height	width	thickness
70 mm	30 mm	2 mm

## ON DEMAND

Mod.  
G 573



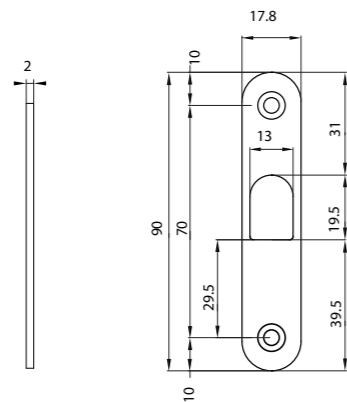
Material  
Steel

### Dimensions

height	width	thickness
64 mm	30 mm	2 mm

## ON DEMAND

Mod.  
G 574



Material  
Steel

### Dimensions

height	width	thickness
90 mm	17.8 mm	2 mm





Doors without lock  
Double



02

A



DOUBLE

B



DOUBLE + B-MAG

# DOUBLE



## DOUBLE-SIDED LOCK

### DOUBLE

Double is the concealed 'handle' system for both sliding and pocket doors. Identical in appearance to the B NO-HA mini system for rebated doors, it allows different kinds of doors to have the same design.



## MAGNETIC LOCK

### DOUBLE + B-MAG

The B-MAG device can be used to close rebated or sliding doors in passage mode, with the best aesthetic and functional result. The use of neodymium magnets ensures a particularly stable closure in all conditions.

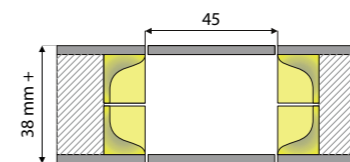


# FOR REBATED AND SLIDING DOORS



Mod.

200

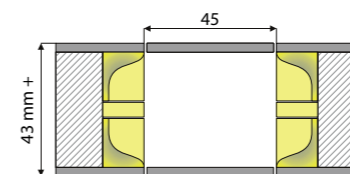


DOOR THICKNESS (mm)



Mod.

205

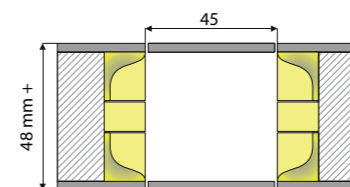


DOOR THICKNESS (mm)

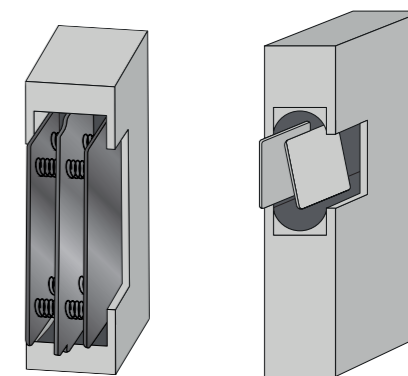


Mod.

210



DOOR THICKNESS (mm)



Download the technical B-MAG specifications from our website [www.bonaiti.it](http://www.bonaiti.it), and check out the different versions available, also interchangeable with our magnetic and mechanical locks in the case of predrilled panels, or customised installations for even better-looking doors.





Single

03



A

A



WARDROBES

B

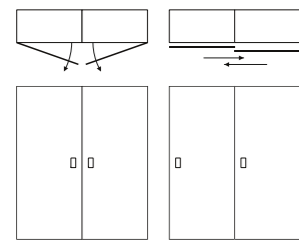
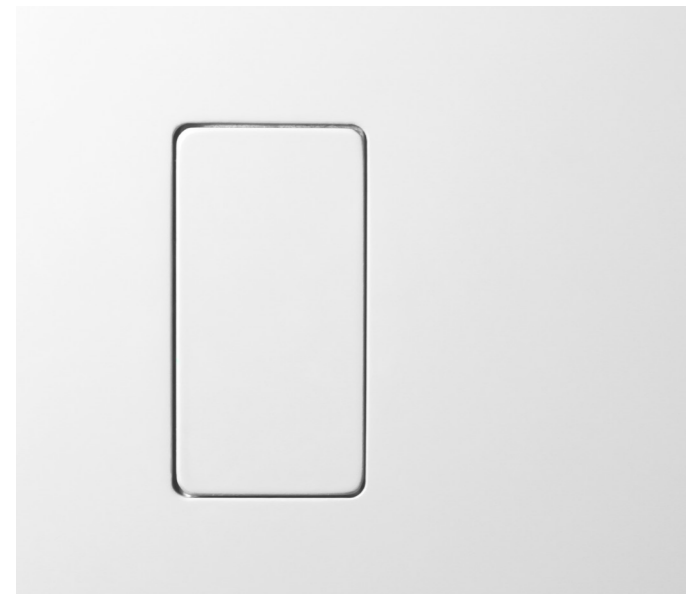


DRAWERS

# SINGLE

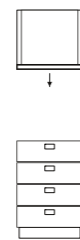
## WARDROBES

Single is the concealed "handle" system for wardrobe doors and door systems that are closed from one side only.



## DRAWERS

Single is the concealed 'handle' system for drawers.



## WITH COVER FOR REAR SIDE

Mod.

250



DOOR THICKNESS (mm)

19  
MIN

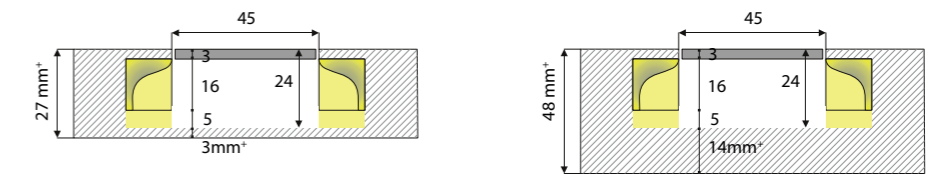


24  
MAX

## FOR UNDRILLED SIDES

Mod.

105

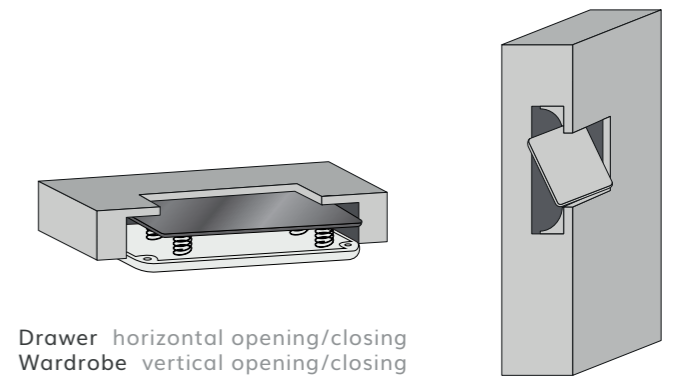


DOOR THICKNESS (mm)

27  
MIN



48  
MAX



Drawer horizontal opening/closing  
Wardrobe vertical opening/closing



Accessories on demand



COVER

---

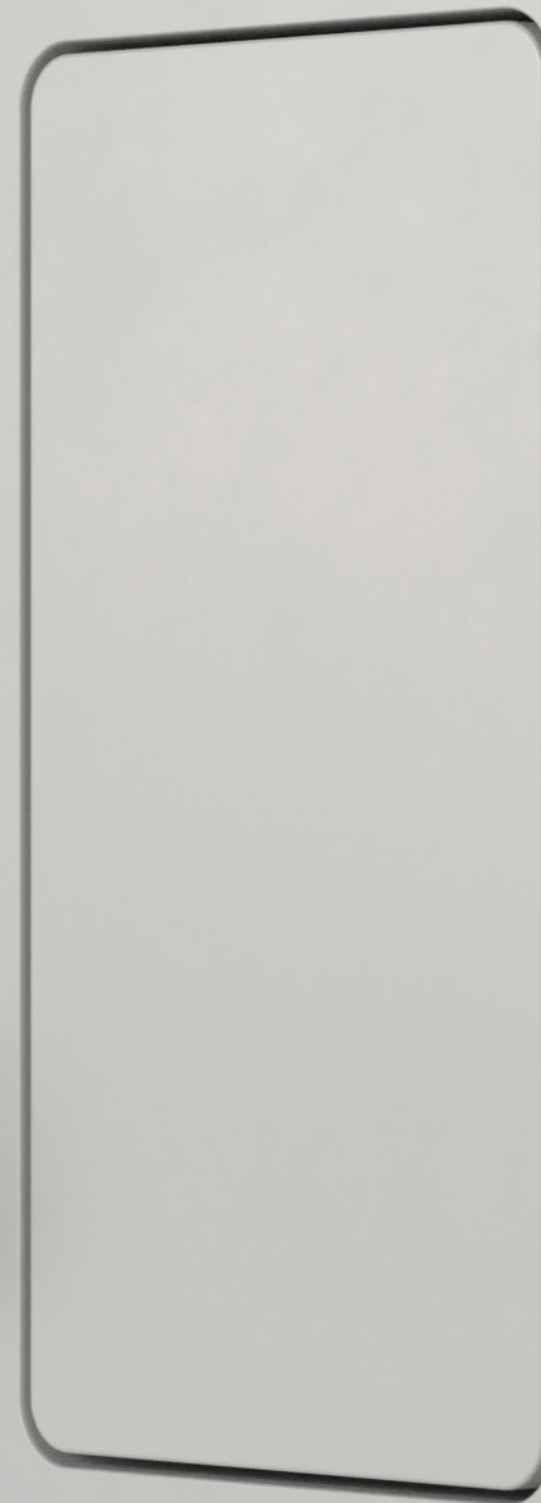
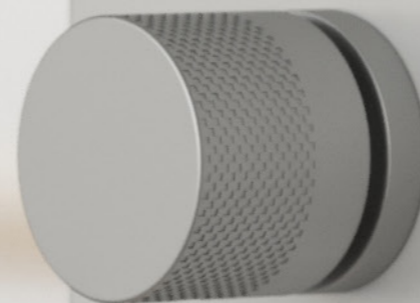


KNOBS

---



SPECIAL  
TOOL

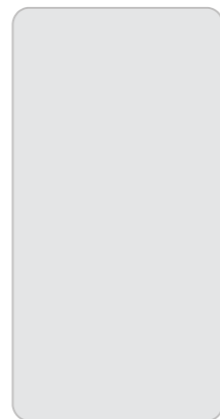


# COVER

Cover

## INVISIBLE

The Cover is designed to perfectly match our B NO-HA mini systems, G500 mini and any kind of door having the thickness indicated. Shapes and colours can be customised by the customer.



Mod.

## METAL



Mod.

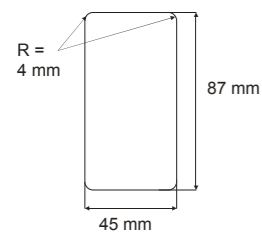
## MDF



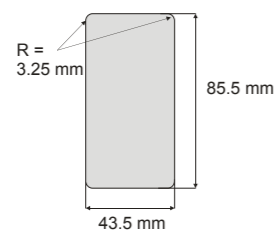
Our metal covers are available in satin stainless steel.

The MDF versions are supplied in a neutral colour ready to paint so that the design of the door matches the finishing of the front plates or door panel used.

hollow  
dimensions



cover  
dimensions



## FEATURES

### Material

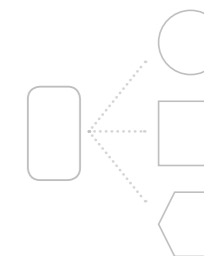
Stainless steel, MDF

### Standard dimensions

height	width	thickness
85,5 mm	43,5 mm	3 mm

## + Colour and shape customisation

Standard Bonaiti shape and colours are described above. Clients are free to customise their own colours and shape with their carpenter.





## KNOBS FOR PRIVACY VERSION



FOR B NO-HA MINI PRIVACY LOCK

### UNDRILLED

The Cartel doorknob has been specifically developed for B NO-HA mini locks to keep the door looking as minimal as possible.

This product is made from materials designed not to interfere in any way with the correct functioning of the magnetic mechanism that controls the locking system.

Mod.

**PH 1**



FOR G500 MINI WC LOCK AND B NO-HA MINI PRIVACY LOCK

### WITH EMERGENCY SCREW

A normal pass-through knob without rosette and with emergency screw can be fitted to the outside of the door and a knob to the inside for the B NO-HA mini and G500 mini privacy version.

Mod.

**3 0 2**



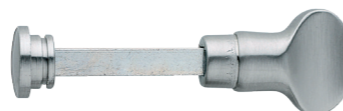
Mod.

**3 1 0**



Mod.

**3 1 5**



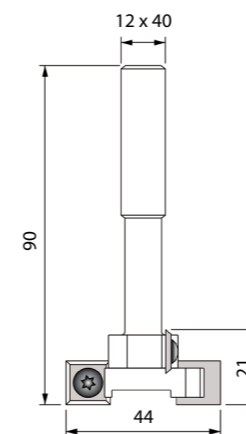
## TOOL



Mod.

### SPECIAL TOOL

The 44 mm diameter special tool is the ideal machining tool for drilling out the doors to fit the various B NO-HA mini, Single and Double systems. In a single step, this tool drills out the mortice on the door panel for correct insertion of all the B NO-HA mini systems.



**Material**  
Steel

**Dimensions**

height 90 mm      diameter  $\varnothing$  44 mm



## FINISHINGS

---



matt chrome



polished brass



matt black



satin chrome



polished antique bronze



matt white



polished nickel



matt antique bronze



satin brass





Bonaiti Serrature SpA

23801 Calolziocorte (LC) - via F.lli Bonacina, 20 ITALY

Tel. +39 0341.631500 - Fax +39 0341.631440 - [bonaiti@bonaiti.it](mailto:bonaiti@bonaiti.it) - [www.bonaiti.it](http://www.bonaiti.it)